

CAUTION! CAUTION! CAUTION! CAUTION! CAUTION!

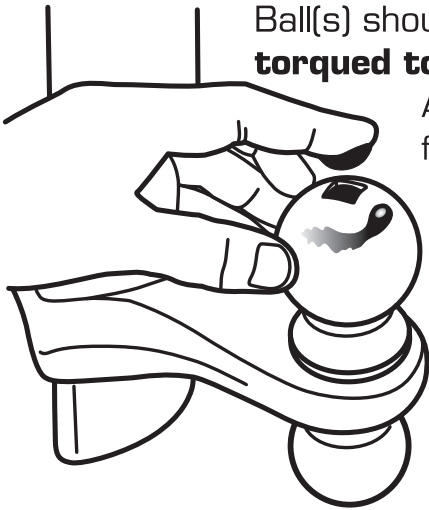
SAFETY FIRST!!



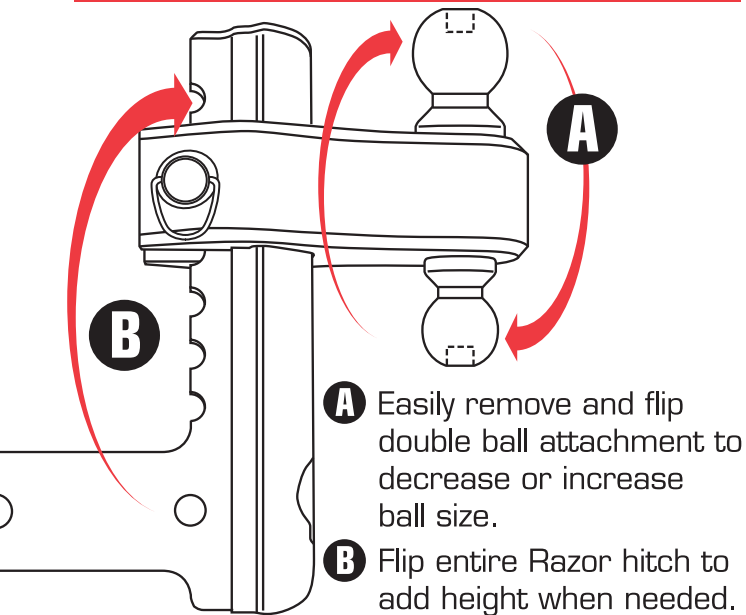
Grease Reservoir

Ball(s) should be installed and **torqued to 250 foot pounds.**

After installation, fill 1/2" drive sockets with a quality bearing grease, which can be dipped out and used to grease ball surface during towing.



Added Rise/Tow Ball Choice



CAUTION!!!

Never overload your RAZOR Adjustable Towing System. Weight tested to 20,000 Lbs. **NEVER EXCEED WT LIMIT OF YOUR TOW BALL.** Always use standard towing procedures and follow supplied check list.

IMPORTANT CHECK LIST, Before You Drive

Make sure your vehicle and trailer maintenance are up to date before you drive. Review this easy to use check list to help ensure a safe trip every time.

- Properly secure safety chains and adjust hitch, coupler, draw bar and other equipment that connect the trailer and tow vehicle.**
- Tow ball/lug nuts/bolts on tow trailer and vehicle should be tightened to correct torque and **checked every 100 miles.**
- Check brakes on tow vehicle and trailer. These should be in good working order.
- Check tire pressure on tow trailer and vehicle before use. Correct if needed.
- Is wiring properly connected? Wiring should not touch the road but be loose enough to make turns without causing damage or plug to come disconnected.
- Are all running lights, brake lights, turn signals, and hazard lights in good working order?
- All items on and in trailer should be securely fastened.
- Trailer jack, tongue support, and any attached stabilizers should be raised and locked in place.
- Review load distribution. Make sure the tow vehicle and trailer load is properly distributed side to side and front to back.
- All mirrors should be set for good visibility.
- Review routes and restrictions on bridges and tunnels.
- Include wheel chocks and jack stands. **TRIMAX** Chock Locks #TCL65/75 are ideal for this application.



DO NOT USE/OPERATE RAZOR HITCH WITHOUT CORRECTLY AND SECURELY FASTENING PIN AND CLIP!



Visit Us On The Web @ WWW.TRIMAXLOCKS.COM, Or Call: 303-796-8500