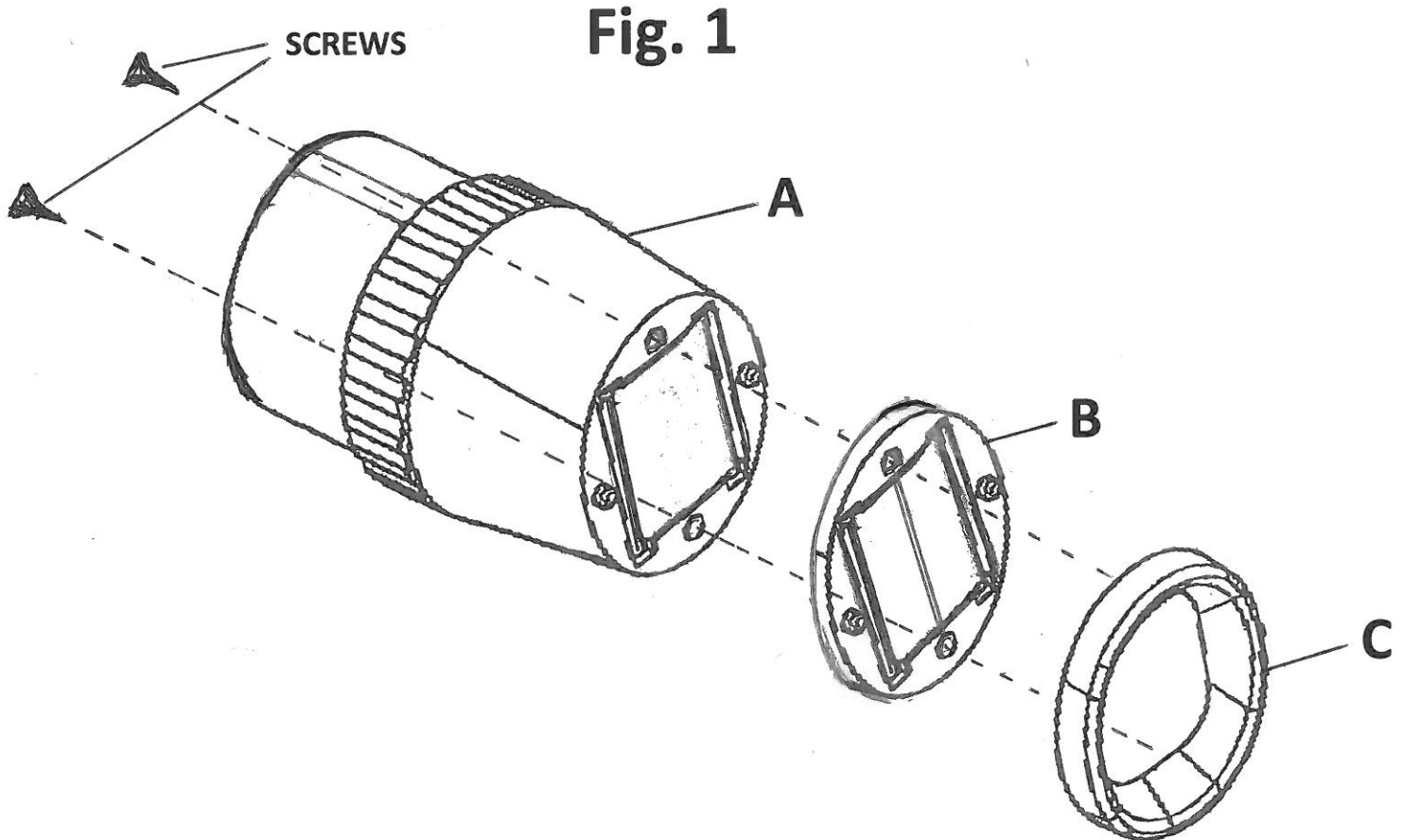


TRAP DOOR REPAIR INSTRUCTIONS

STEP 1. – Remove Trap Door Cap “A”, Fig. 1 From Catch Tube Assembly.



STEP 2. – With Small Phillips Head Screw Driver, Remove Old Screws And Trap Doors From Inside Trap Door Cap. These Parts Can Be Discarded.

STEP 3. – INSTALL New Silicon Trap Doors Disc, “B”, see Fig. 1. IMPORTANT: MAKE SURE MOLDED CREASES IN HINGE AREA OF NEW SILICONE TRAP DOOR “B” FACE THE INSIDE OF CATCH TUBE.

STEP 4. - Using New Screws Provided In Service Pack, Assemble Parts A, B, C, As Shown In Fig.1 Making Sure To Fully Tighten Screws So There Is No Gap Between Parts A, B, C.

Important Note: There Should Be A Very Slight Even Gap All The Way Around The New Silicone Trap Doors To Ensure Smooth, Responsive Operation.

-DO NOT WORRY, BUGS CAN NOT ESCAPE! -